

A

B

C

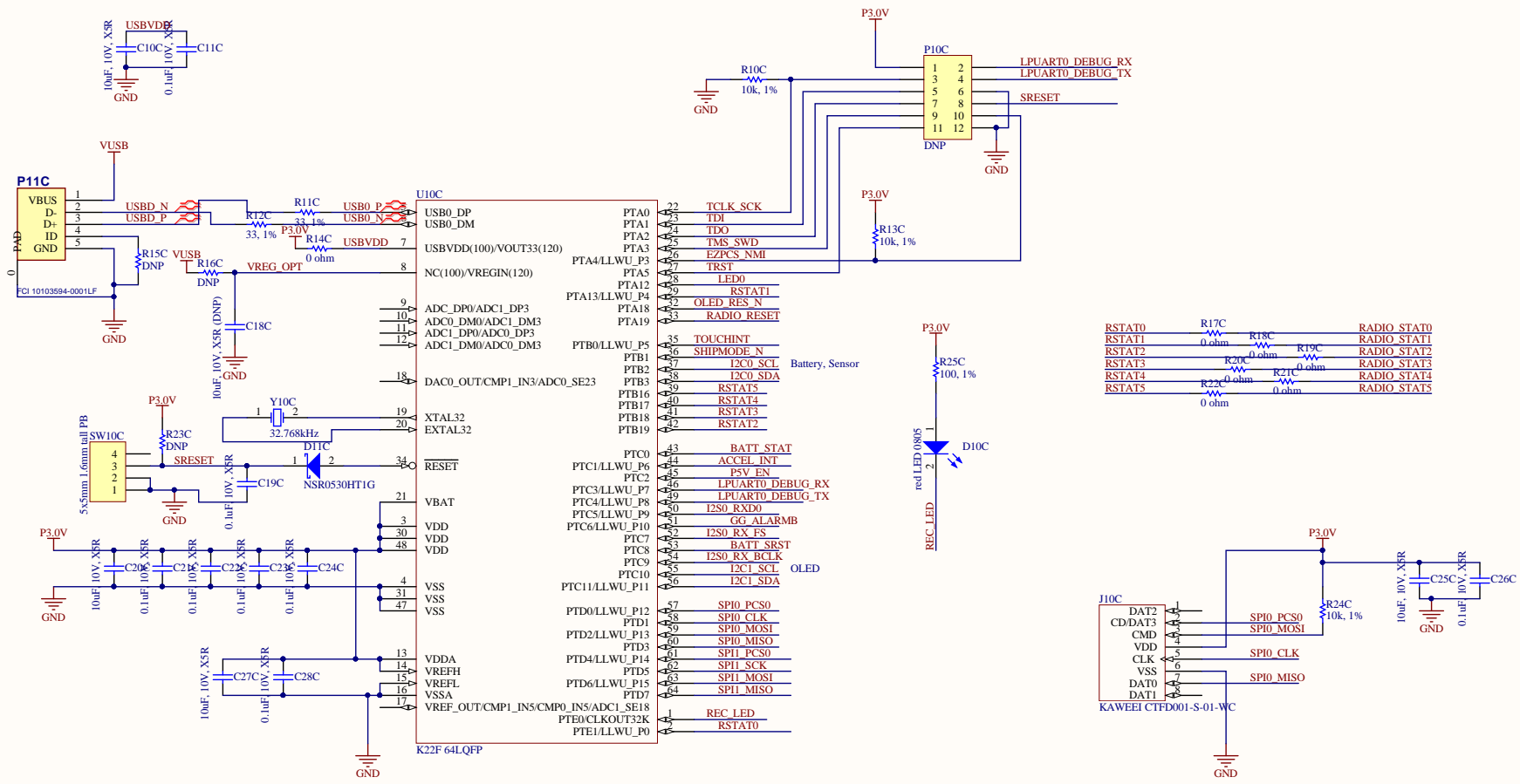
D

A

B

C

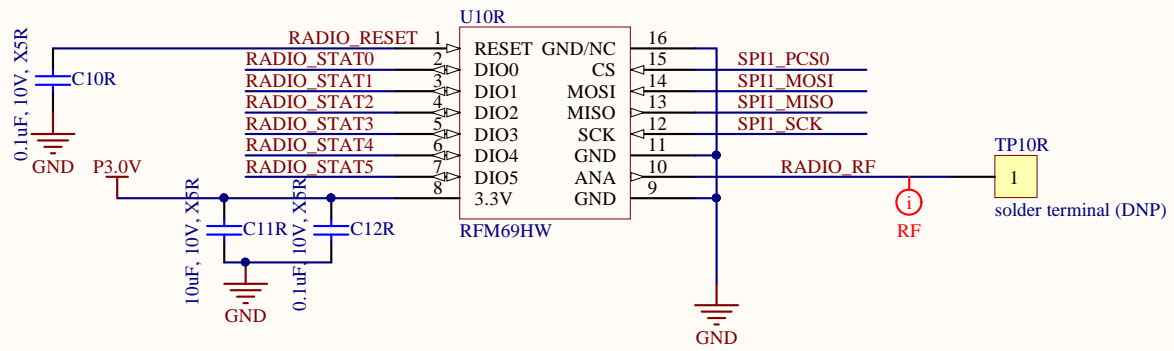
D



Licensed under CERN OHL v1.2 or later
Copyright 2017 Andrew "bunnie" Huang



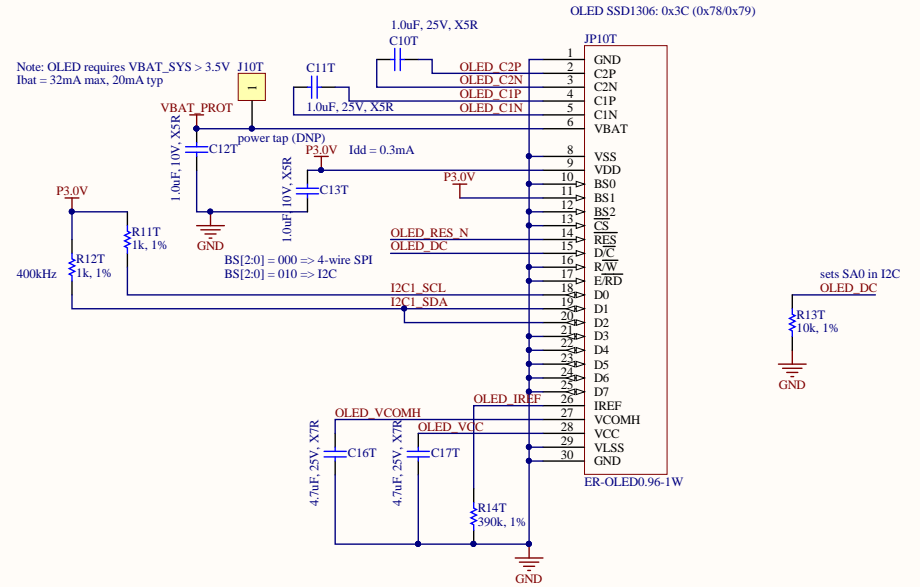
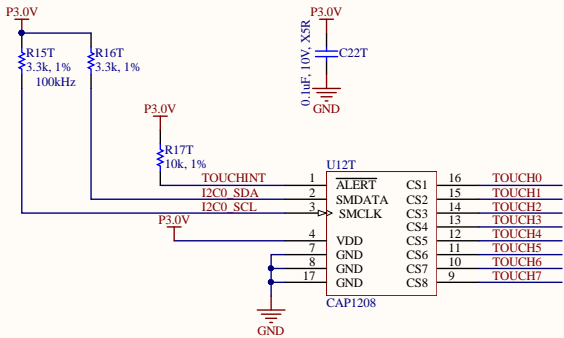
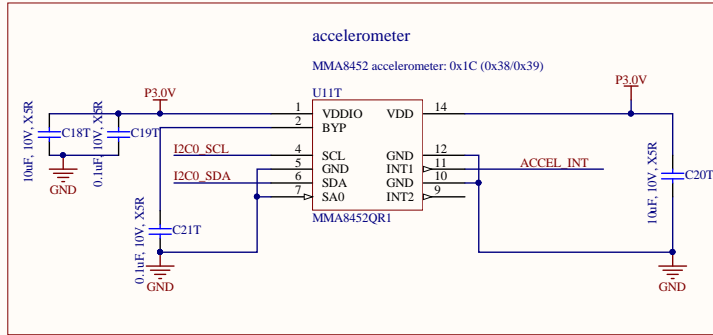
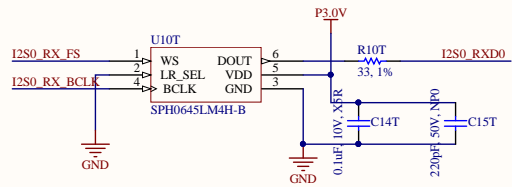
Title		
BM-2017		
Size	Number	Revision
B		
Date:	5/12/2017	Sheet of
File:	F:\largetwork\...01mcu.SchDoc	Drawn By:



Licensed under CERN OHL v1.2 or later
 Copyright 2017 Andrew "bunnie" Huang



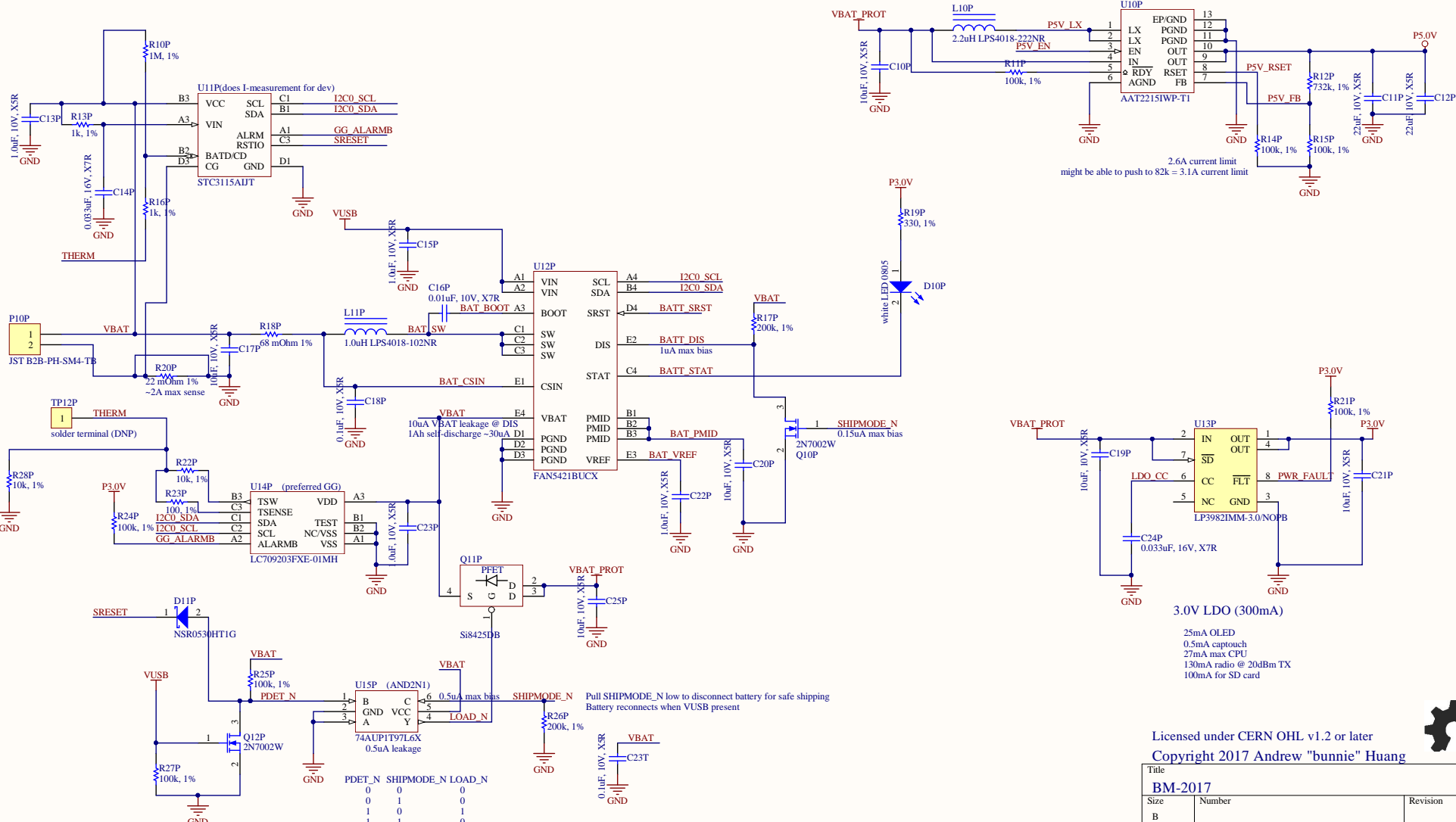
Title		
BM-2017		
Size	Number	Revision
A		
Date:	5/12/2017	Sheet of
File:	F:\largework\...\02radio.SchDoc	Drawn By:



Licensed under CERN OHL v1.2 or later
Copyright 2017 Andrew "bunnie" Huang



Title		
BM-2017		
Size	Number	Revision
B		
Date:	5/12/2017	Sheet of
File:	F:\largetwork\03to.SchDoc	Drawn By:



2.6A current limit
might be able to push to 82k = 3.1A current limit

3.0V LDO (300mA)

- 25mA OLED
- 0.5mA captouch
- 27mA max CPU
- 130mA radio @ 20dBm TX
- 100mA for SD card

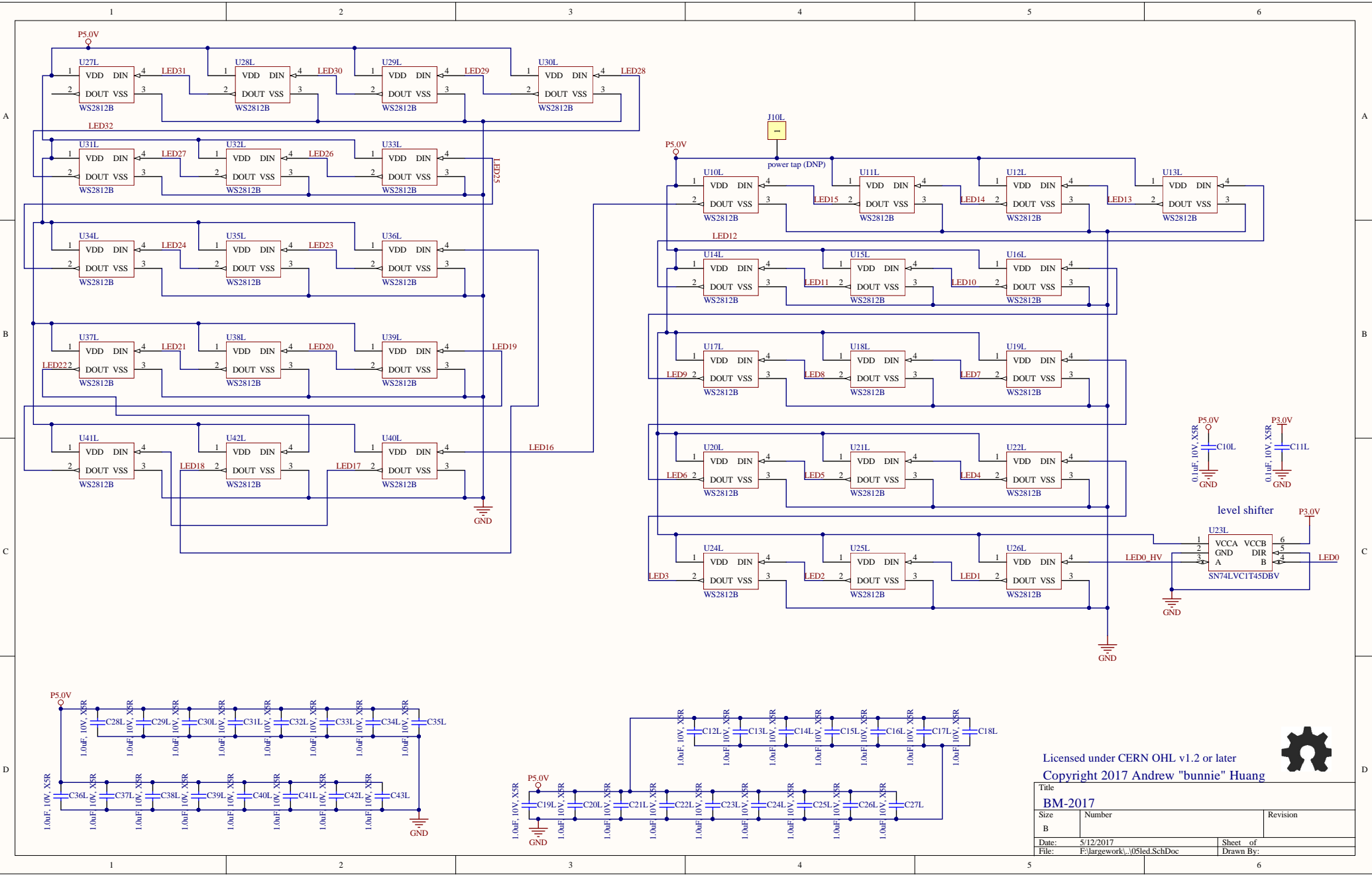
Pull SHIPMODE_N low to disconnect battery for safe shipping
Battery reconnects when USB present

PDET_N	SHIPMODE_N	LOAD_N
0	0	0
0	1	0
1	0	1
1	1	0

Licensed under CERN OHL v1.2 or later
Copyright 2017 Andrew "bunnie" Huang



Title		
BM-2017		
Size	Number	Revision
B		
Date:	5/12/2017	Sheet of
File:	F:\largetwork\...04power.SchDoc	Drawn By:



Licensed under CERN OHL v1.2 or later
 Copyright 2017 Andrew "bunnie" Huang



Title		
BM-2017		
Size	Number	Revision
B		
Date:	5/12/2017	
File:	F:\largework\...\05led.SchDoc	
	Sheet of	Drawn By:
	6	