

Copyright 2013 Andrew "bunnie" Huang



Copyrights: CC-BY-SA 3.0 Patents: Apache 2.0

Title		
Phage armband v3		
Size	Number	Revision
A		
Date:	9/15/2013	Sheet of
File:	F:\largework\phage-controller-v3.SchDoc	Drawn By:

Layer stack:

板镀: 浸金 Board finish is immersion gold

模切轮廓 board outline

上面的丝印 - 白色 top silkscreen - white color

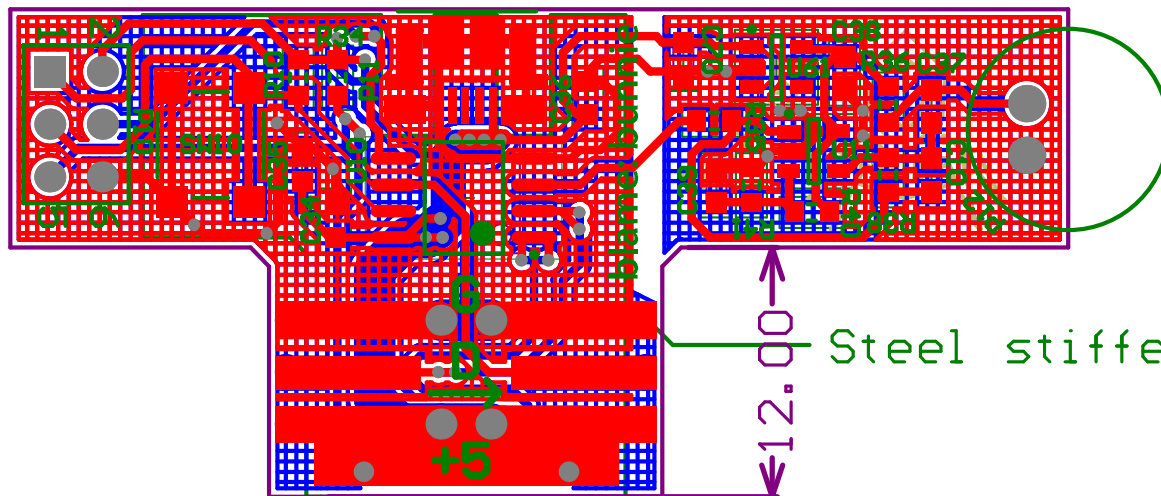
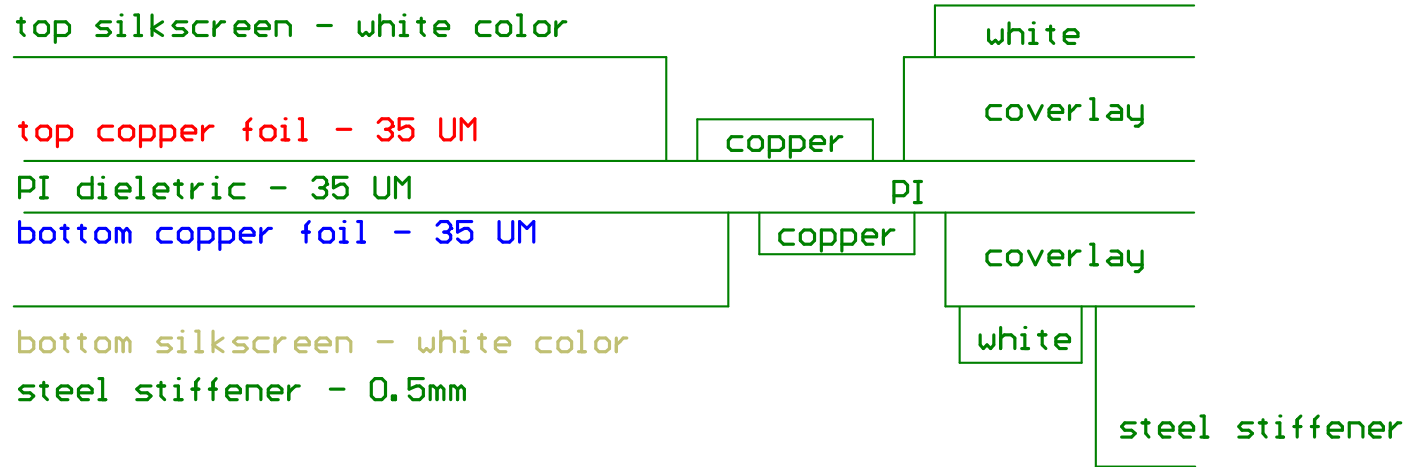
上面的铜 top copper foil - 35 UM

PI基板 PI dielectric - 35 UM

下面的铜 bottom copper foil - 35 UM

下面的丝印 - 白色 bottom silkscreen - white color

钢加强 steel stiffener - 0.5mm



Steel stiffener outline - 0.5mm thickness