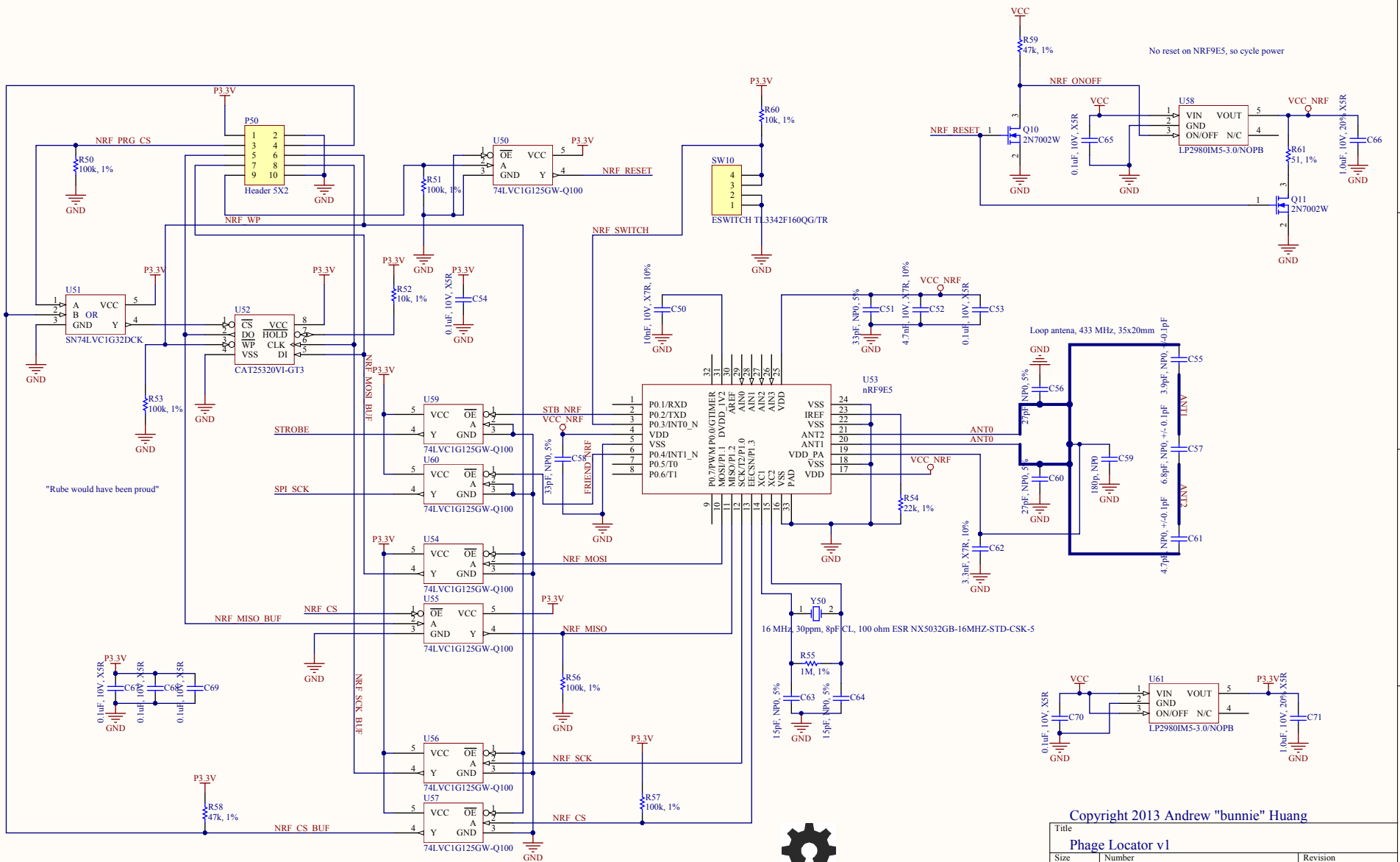


Copyrights: CC-BY-SA 3.0 Patents: Apache 2.0  
Copyright 2013 Andrew "bunnie" Huang

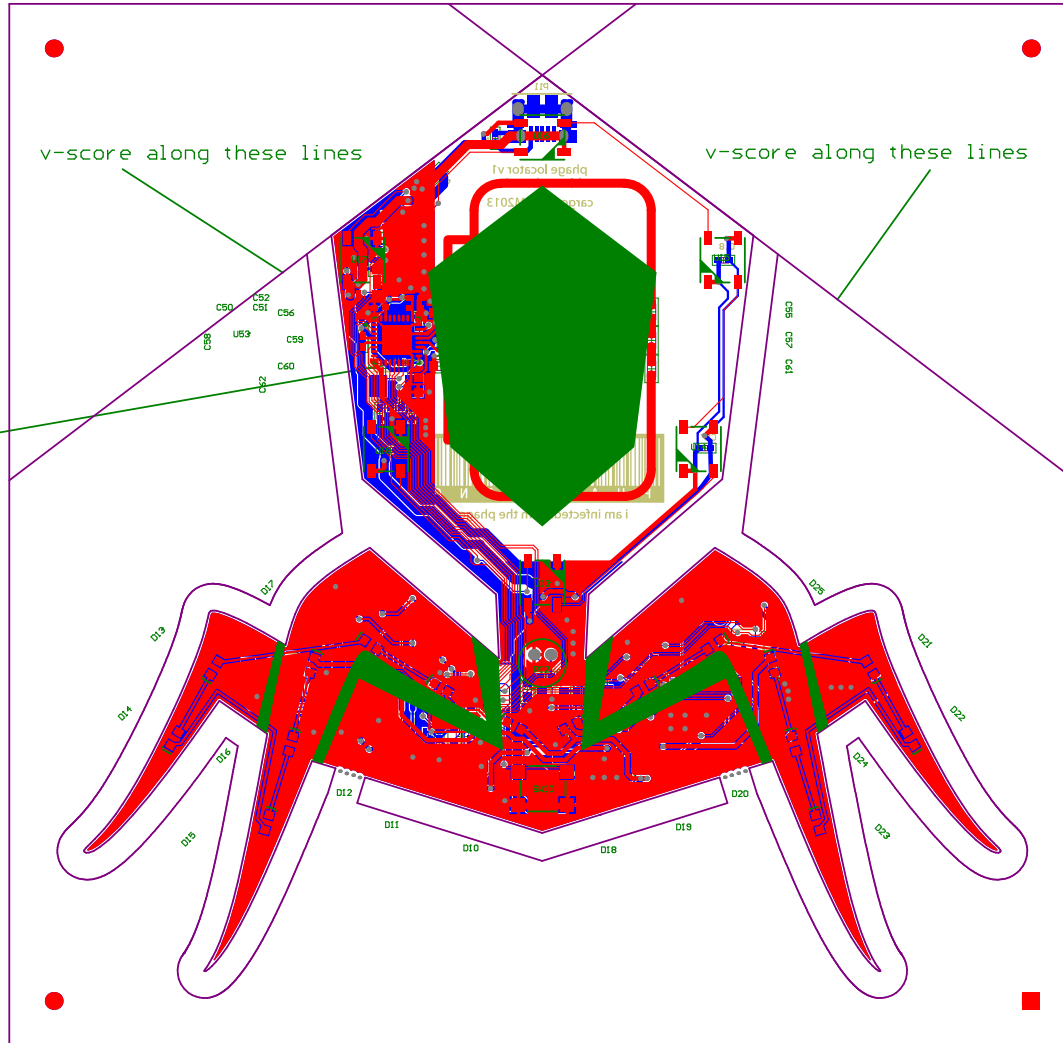
Title		
Size	Number	Revision
Phage Locator v1		
Date:	9/15/2013	Sheet of
File:	F:\largework\phage-locator.SchDoc	Drawn By:



Copyright 2013 Andrew "bunnie" Huang

Title <b>Phage Locator v1</b>		
Size B	Number	Revision
Date: 9/15/2013	Sheet of	
File: F:\largework\vr-frx-tx.SchDoc	Drawn By:	

 Copyrights: CC-BY-SA 3.0 Patents: Apache 2.0



v-score along these lines

v-score along these lines

remove silkscreen covering bare pads

Design name: phage locator v1

Material: FR-4, 1.6mm

1oz copper finished

Immersion gold finish

Soldermask: matte black

Silkscreen: white

Please note special instruction for V-score & route/retain