

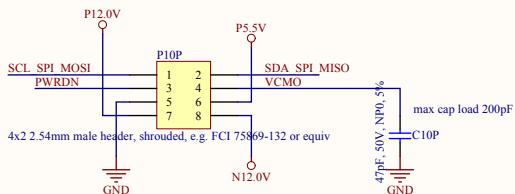
Copyright 2013 Andrew "bunnie" Huang

Novena Digital Probe EVT1

Size	Number	Revision
B		
Date:	5/4/2014	Sheet of
File:	F:\largework\afe-dt02.SchDoc	Drawn By:

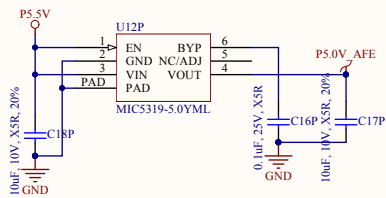
Copyrights: CC-BY-SA 3.0
 Patents: Apache 2.0



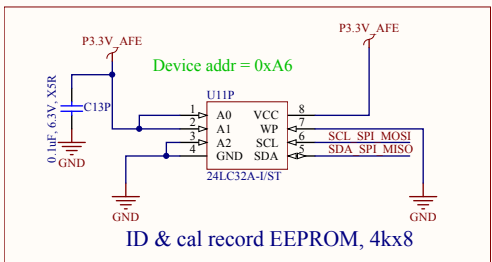
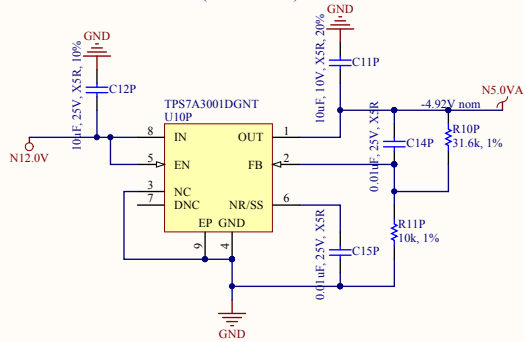


Power header

5.0V LDO for LMH6518 & AD4817-1

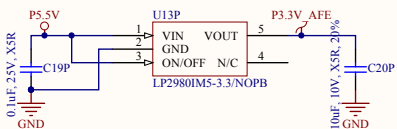


-5.0V LDO for AD4817-1 (~60mA max)

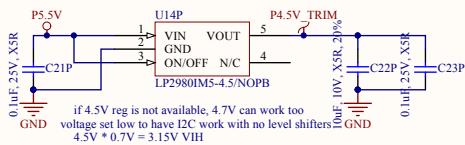


ID & cal record EEPROM, 4kx8

3.3V LDO for general AFE use



4.5V LDO for offset trim DAC



if 4.5V reg is not available, 4.7V can work too
voltage set low to have I2C work with no level shifters
 $4.5V * 0.7V = 3.15V_{VIH}$

Copyright 2013 Andrew "bunnie" Huang
Novena Digital Probe EVT1

Coprights: CC-BY-SA 3.0
Patents: Apache 2.0



Title		Revision	
Size	Number		
Date:	5/4/2014	Sheet	of
File:	F:\largework\power-di01.SchDoc	Drawn By:	