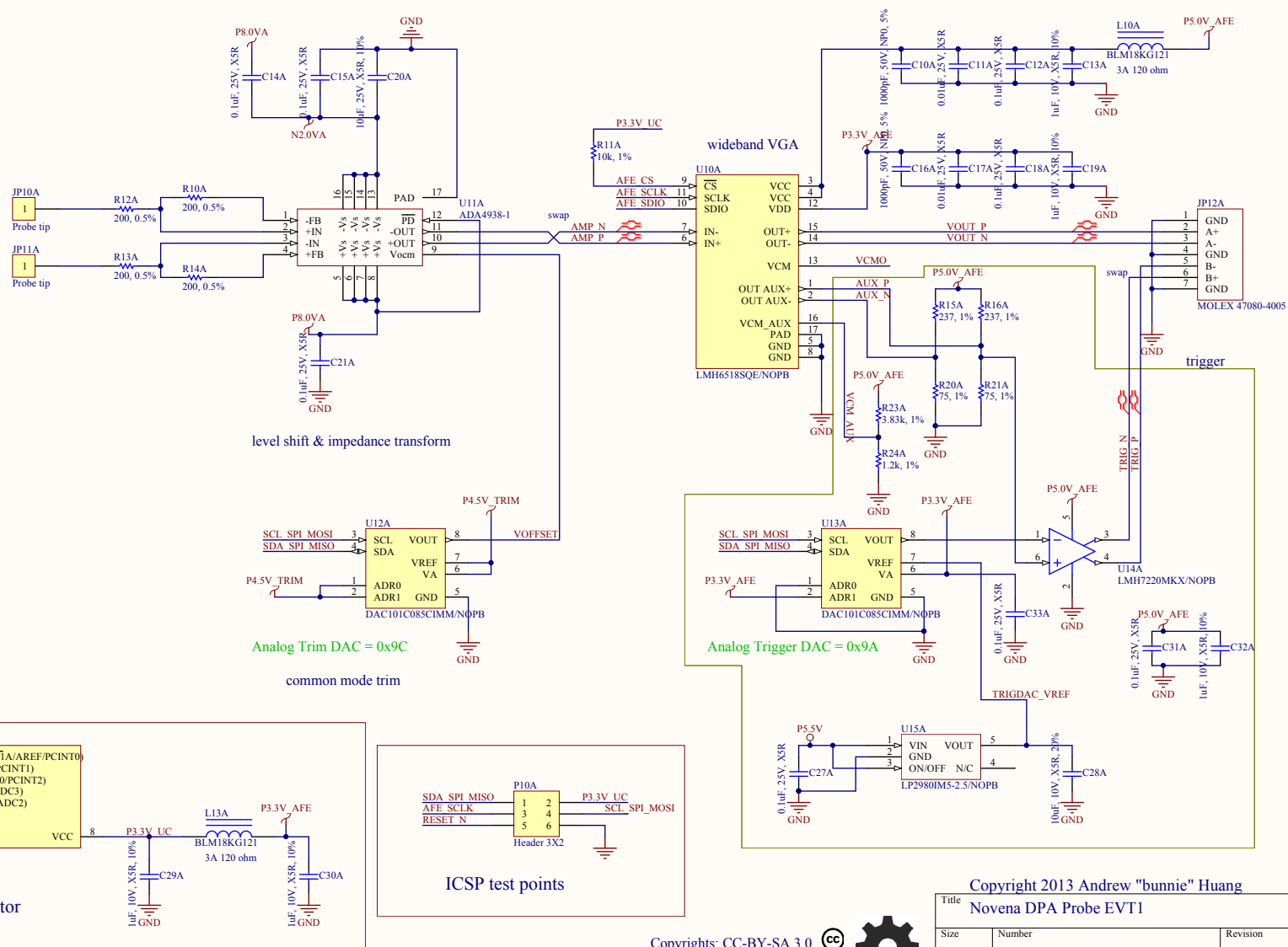


Zin = 400 ohms
 -1.7V < Vcm < 6.4V
 -3dB BW ~ 1 GHz
 Measure across ground or power load resistor Z < 1 ohm



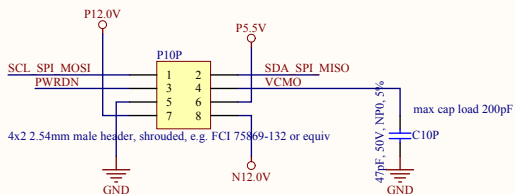
Copyright 2013 Andrew "bunnie" Huang

Title: Novena DPA Probe EVT1

Size	Number	Revision
B		
Date:	5/4/2014	Sheet of
File:	F:\largework\afe-dpa02.SchDoc	Drawn By:

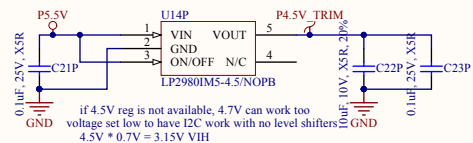
Copyrights: CC-BY-SA 3.0
 Patents: Apache 2.0



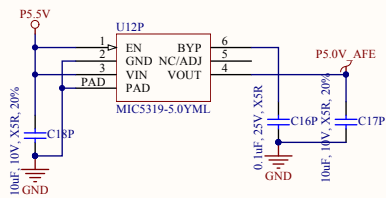


Power header

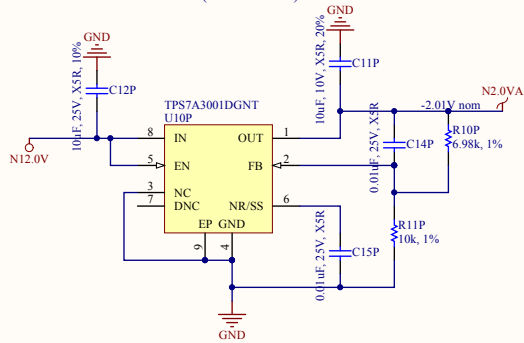
4.5V LDO for offset trim DAC



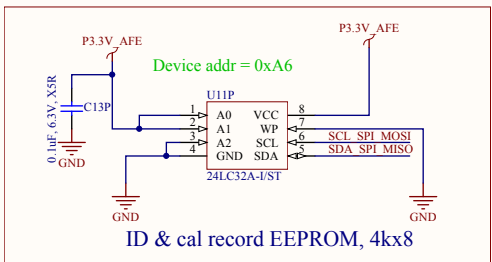
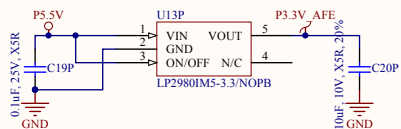
5.0V LDO for LMH6518 & AD4817-1



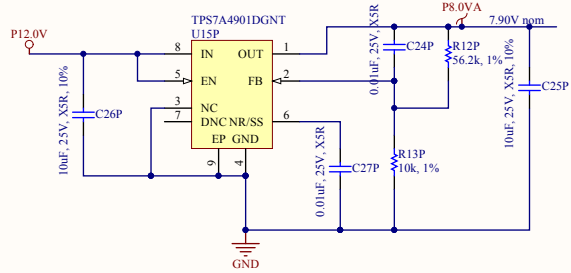
-2.0V LDO for AD4938-1 (~40mA max)



3.3V LDO for general AFE use



8.0V LDO for AD4938-1



Copyright 2013 Andrew "bunnie" Huang
Novena DPA Probe EVT1

Coprights: CC-BY-SA 3.0
Patents: Apache 2.0



Title		Revision	
Size	Number		
Date:	5/4/2014	Sheet	of
File:	F:\largework\power-dpa01.SchDoc	Drawn By:	