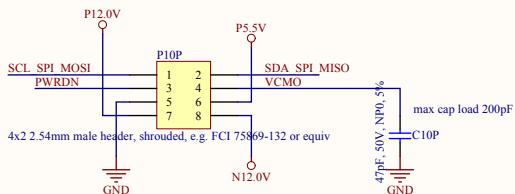


Copyright 2013 Andrew "bunnie" Huang
 Novena EMC Probe EVT1

Title	Number	Revision
Size		
Date:	5/4/2014	Sheet of
File:	F:\largework\afe-emc02.SchDoc	Drawn By:

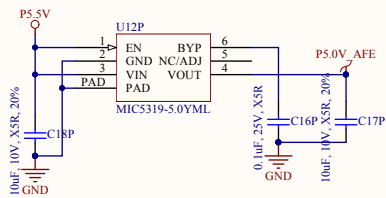
Copyrights: CC-BY-SA 3.0
 Patents: Apache 2.0



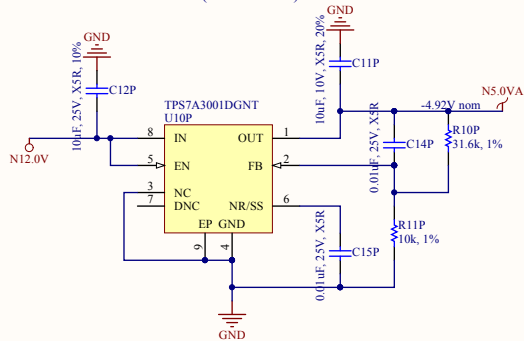


Power header

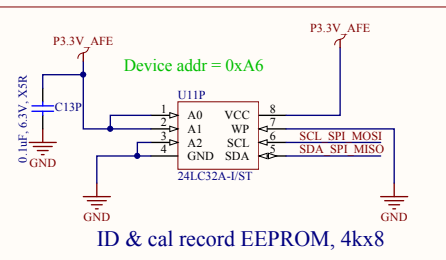
5.0V LDO for LMH6518 & AD4817-1



-5.0V LDO for AD4817-1 (~60mA max)

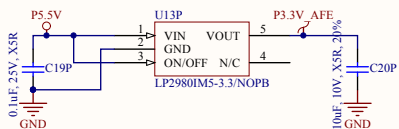


Device addr = 0xA6

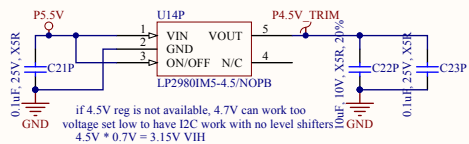


ID & cal record EEPROM, 4kx8

3.3V LDO for general AFE use



4.5V LDO for offset trim DAC



if 4.5V reg is not available, 4.7V can work too
voltage set low to have I2C work with no level shifters
 $4.5V * 0.7V = 3.15V_{VIH}$

Copyright 2013 Andrew "bunnie" Huang
Novena EMC Probe EVT1

Coprights: CC-BY-SA 3.0
Patents: Apache 2.0



Title Novena EMC Probe EVT1		
Size B	Number	Revision
Date: 5/4/2014	Sheet of	Drawn By:
File: F:\largework\power-emc01.SchDoc	Drawn By:	