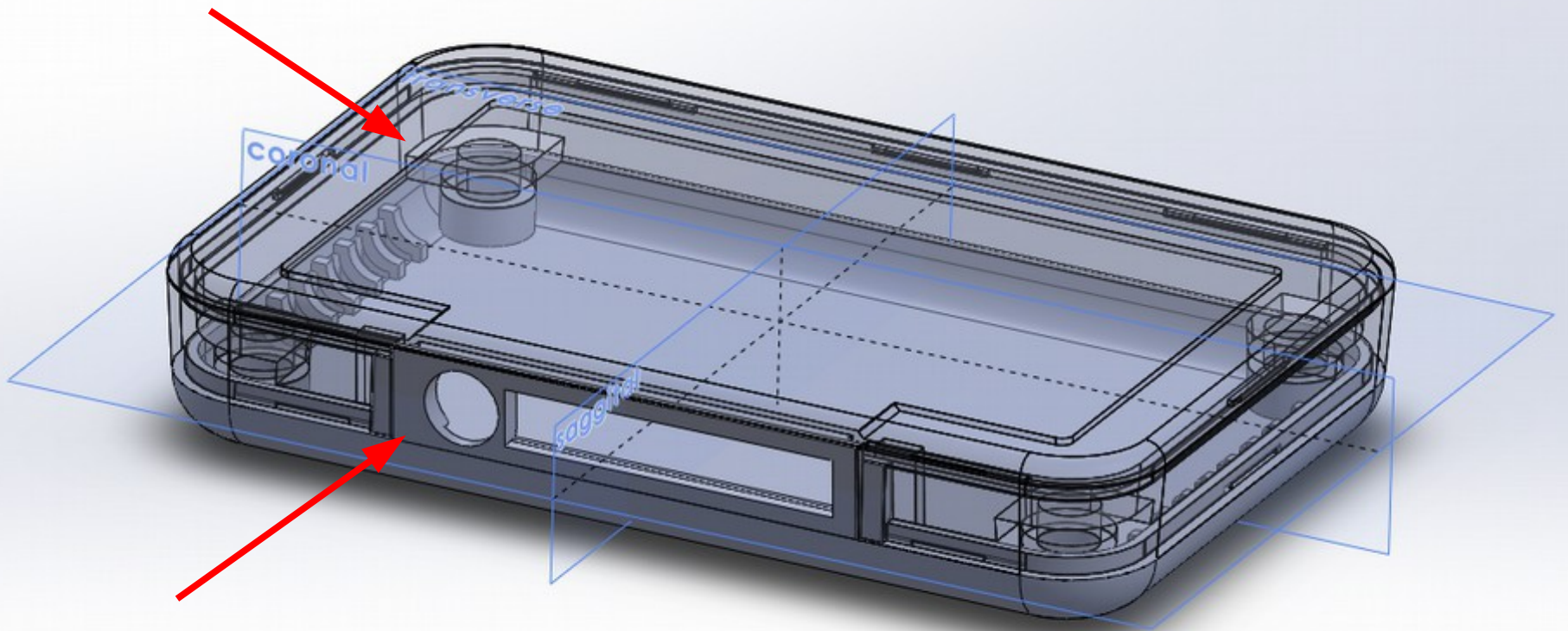


# About the Case Design

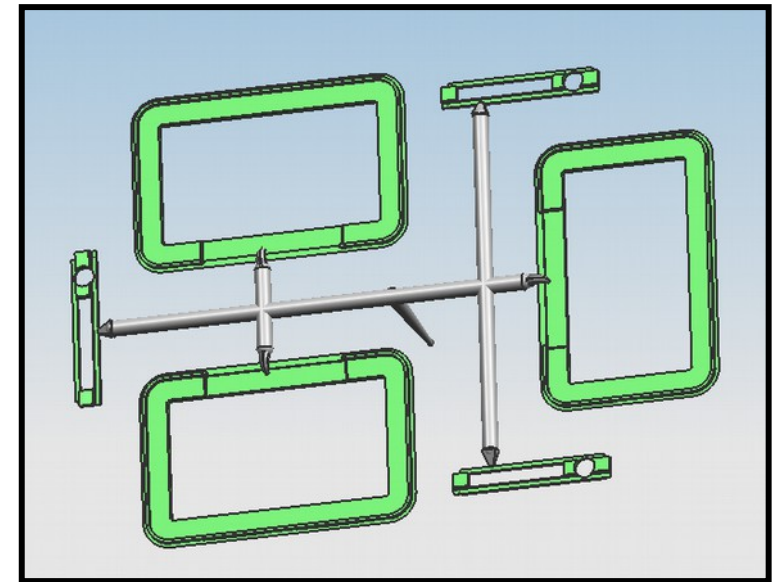
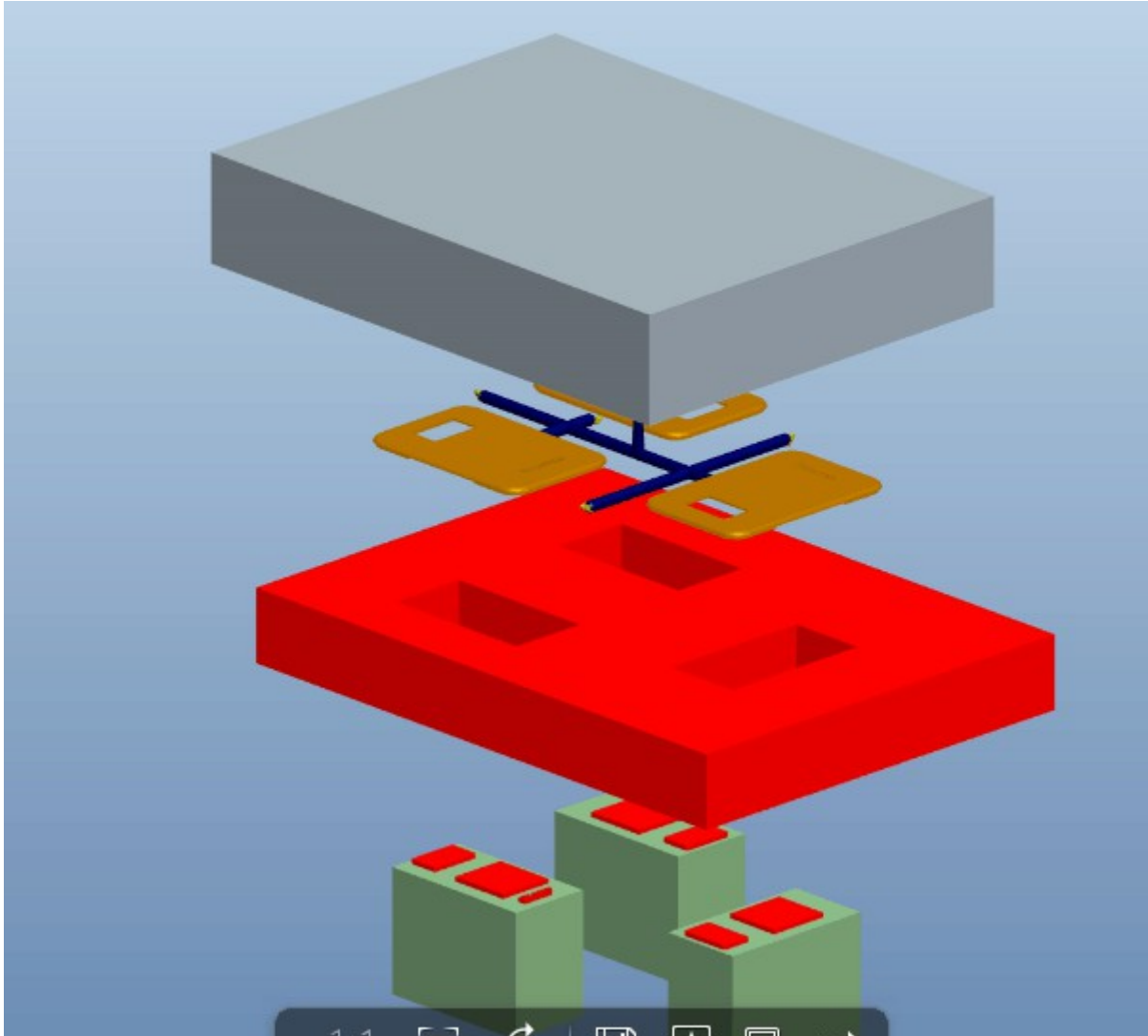
- Four-part design, with two surfaces intended for student modification



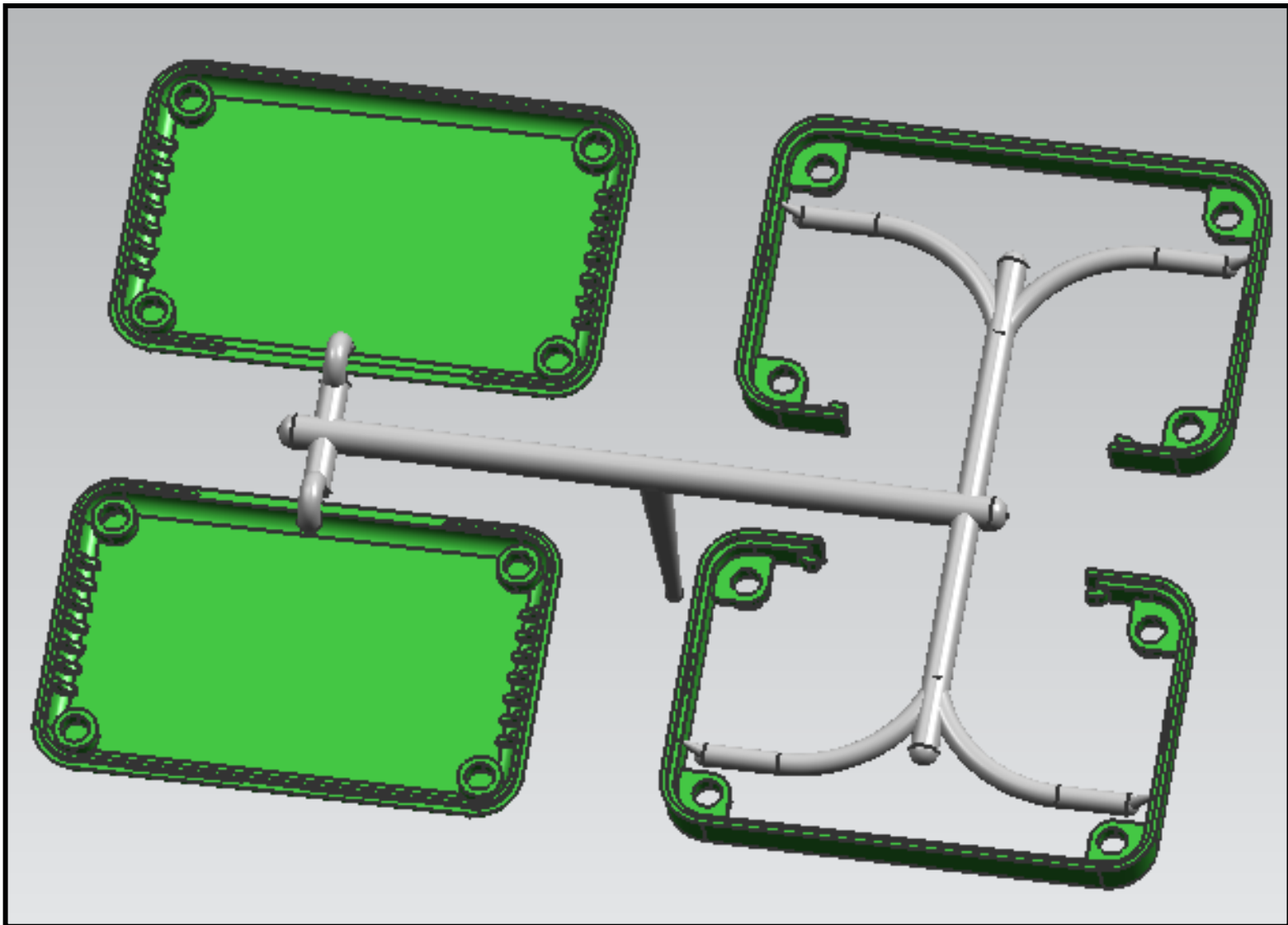
# Intent of Modifiable Surfaces

- Change UI: Top bezel
  - Add through-holes
  - Logo textures
  - Lettering
  - Cavities
- Change connectors: Side port
  - Customized to accommodate your connectors

# Family Mold – Modifiable Surfaces



# Non-Mod Parts



# IMD

- Film insert into cavity
- Only one mold prepared this way, but film can be changed at low cost
- Alternative to modifying top case design, if you don't need extra holes

